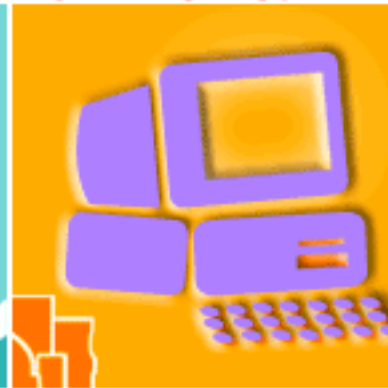


**Interactive Video**

**Online Learning**



**Web Services**

**E-mail**

**METNET**



# **METNET Gigabit Project**

---

***H.323 Video Conversion  
And  
Bandwidth Upgrade  
In the Metro Region***

# METNET

---

- *Provides distance education and network services to 12 higher education institutions in the metro region*
- *Single or multiple T-1 circuits from a single hub*
- *Shared access to the Internet, the MnSCU statewide backbone and InterTech*

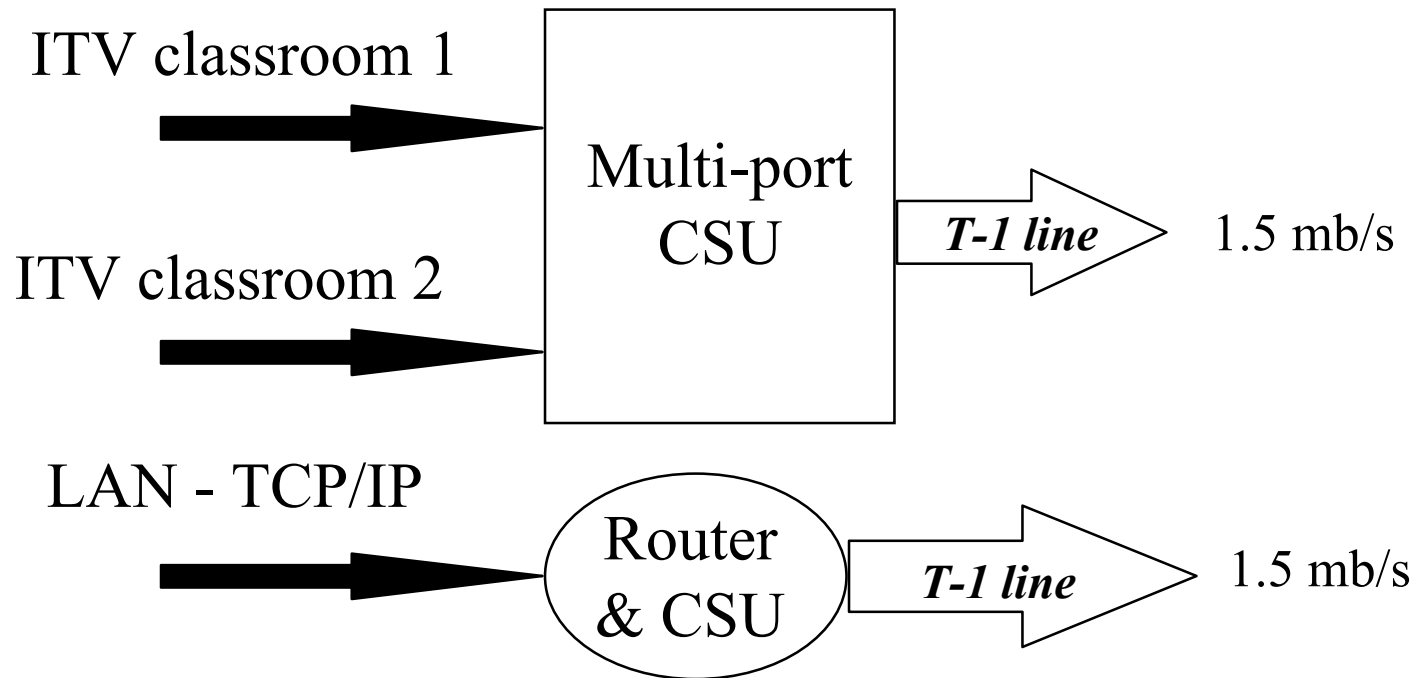
# METNET

---

- *Network used time division multiplexing (TDM) to divide and assign T-1 channels of 64 kb/s each into H.320 video bandwidth and IP data bandwidth.*

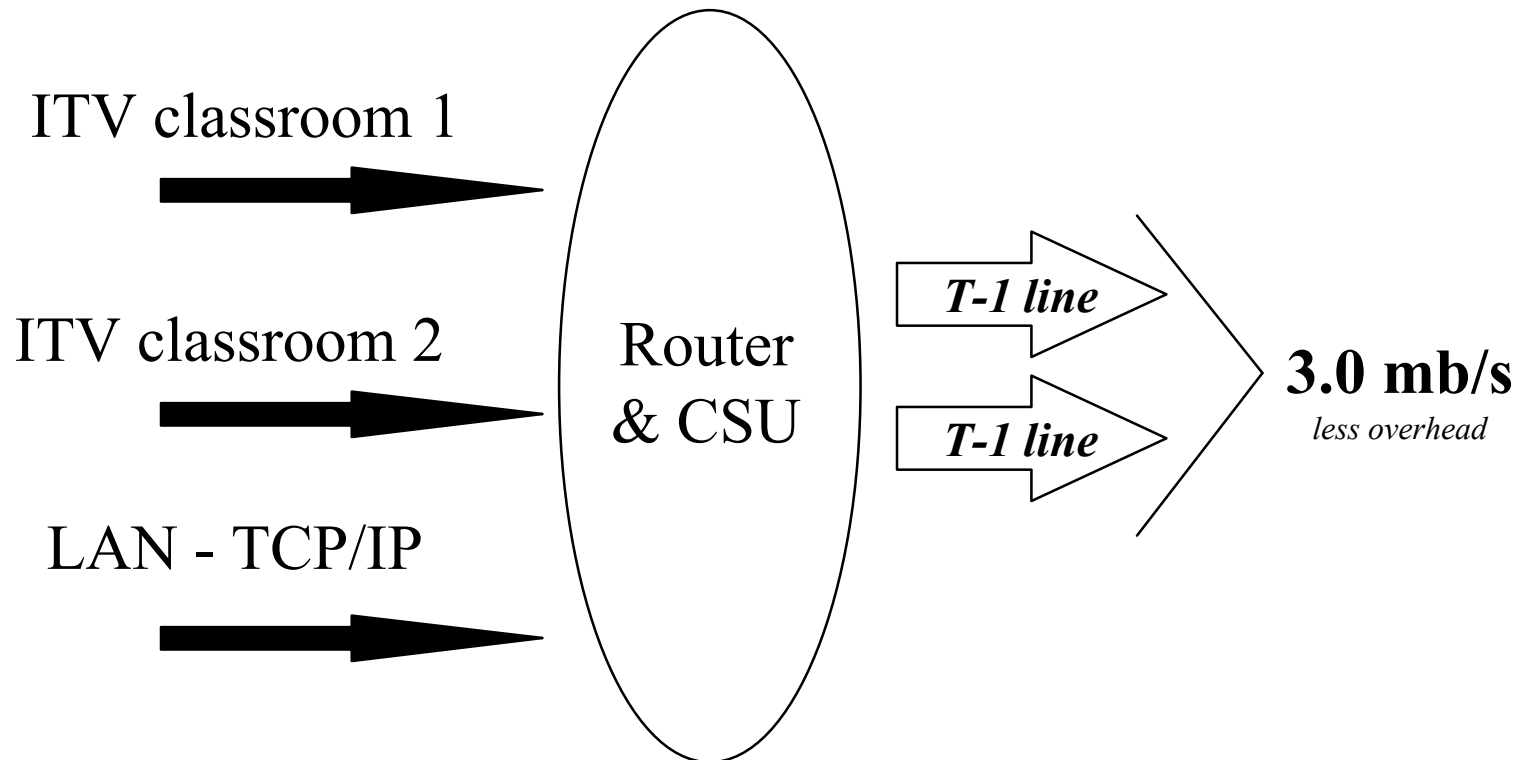
# Data/Video Integration

---



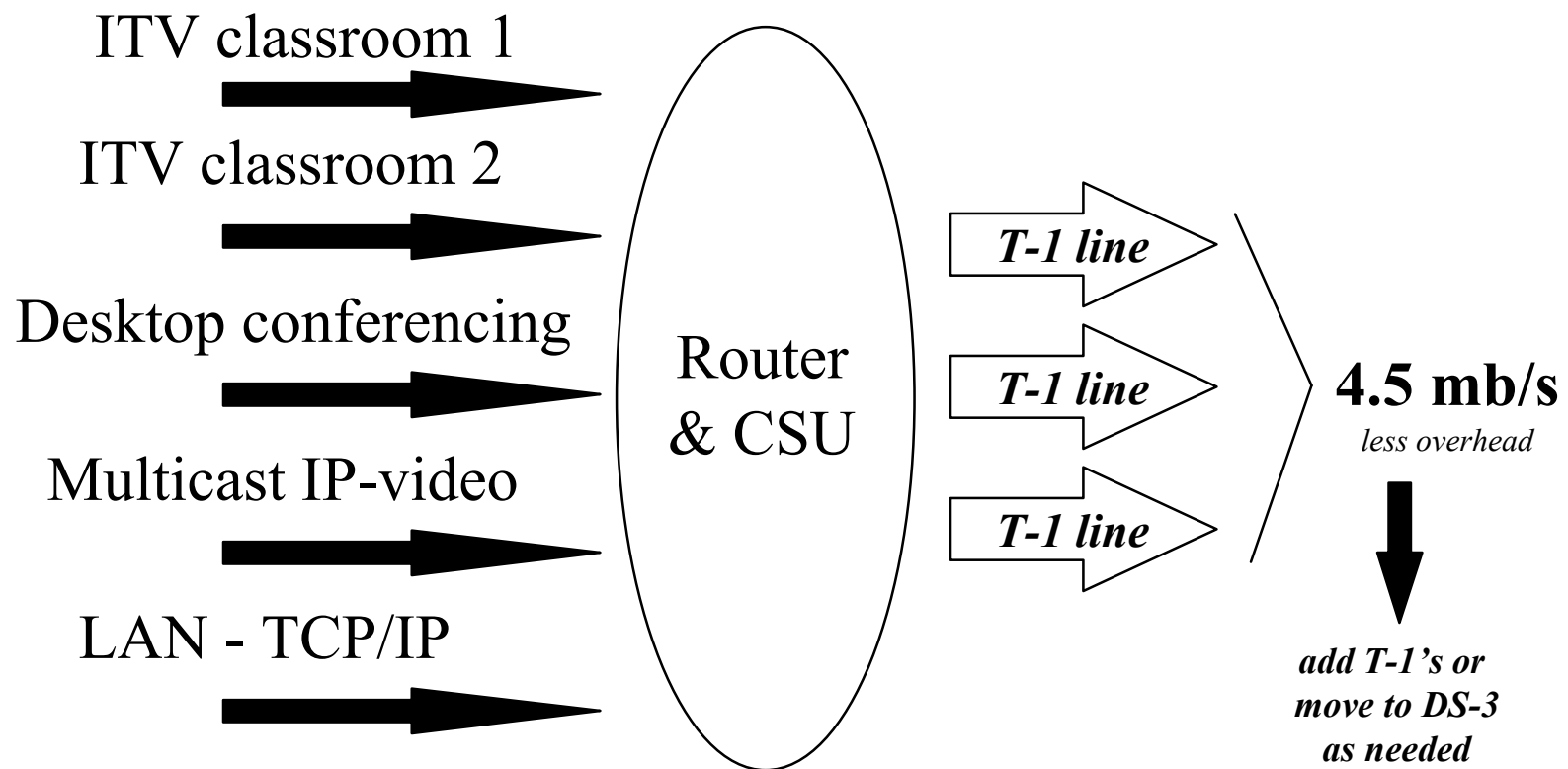
# H.323 Integrates Data/V ideo

---



# H.323 Integrates Data/Video

---



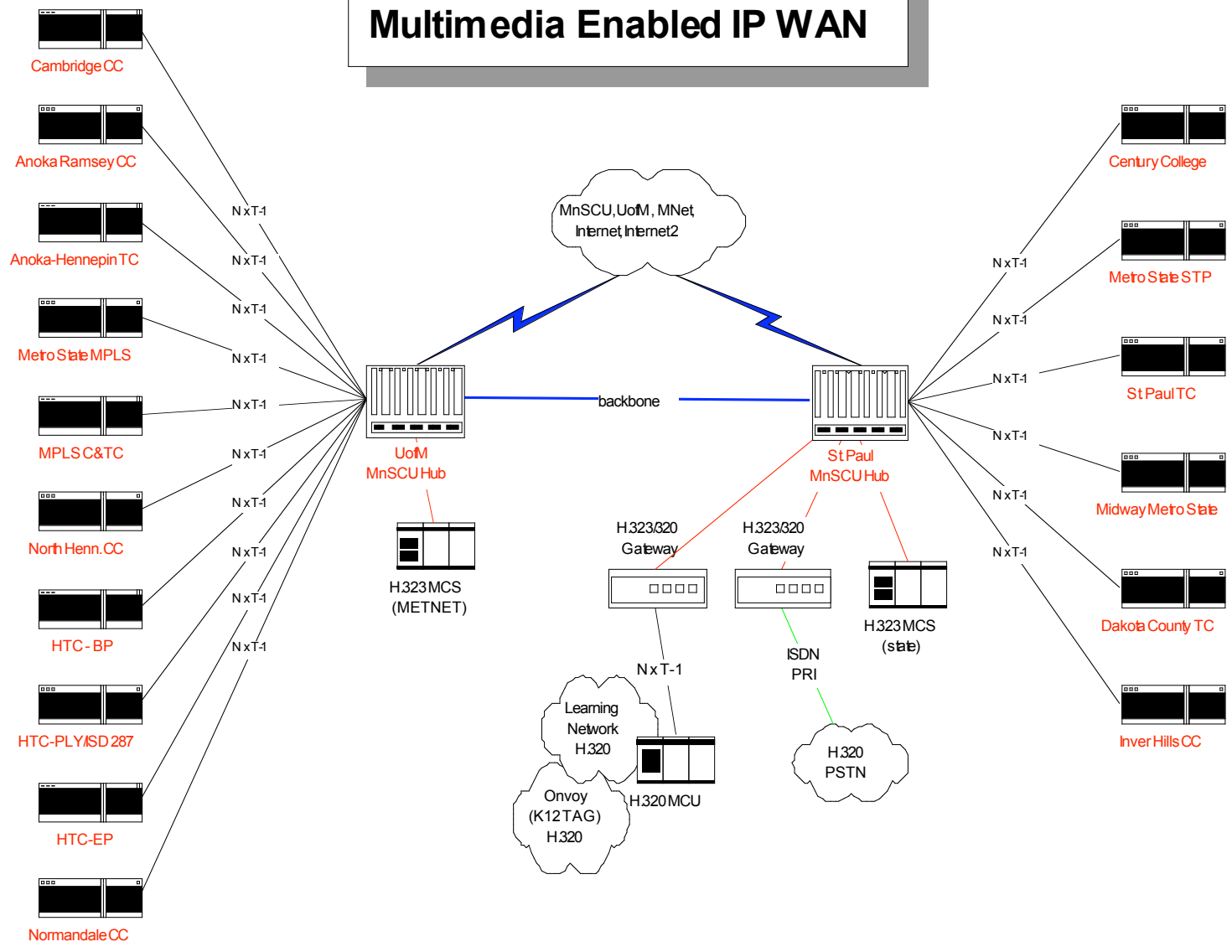
# Benefits

---

- *H.323 enables user-initiated connections*
- *H.323 permits dynamic bandwidth allocation*
  - data applications can use all available bandwidth when video is not present
- *H.323 integrates data and video transport*
  - ‘shared & bigger pipes’ for all applications
  - network provisioning can be less costly
- *Scaled bandwidth growth*

# METNET

## Multimedia Enabled IP WAN

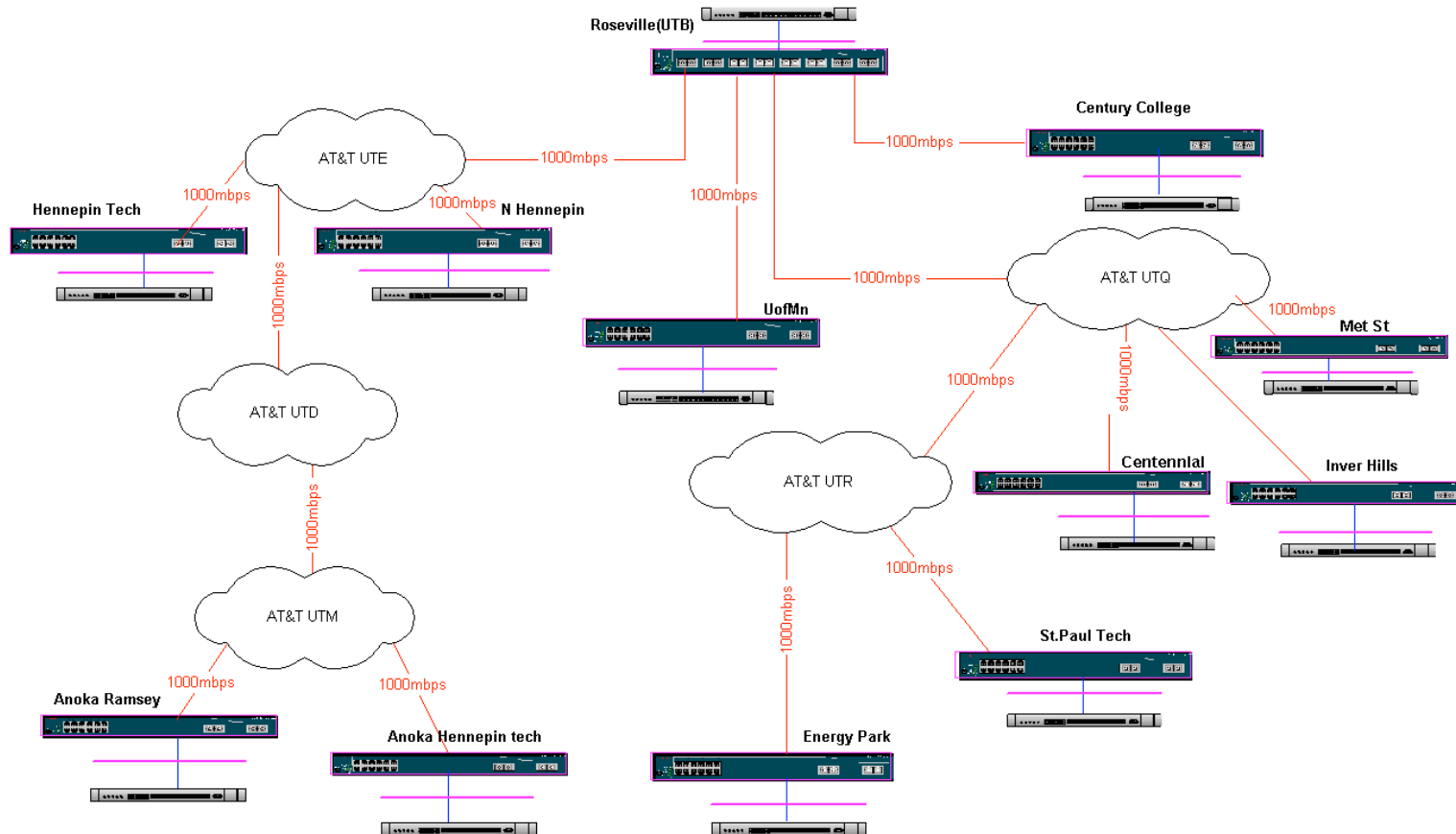


# Opportunity

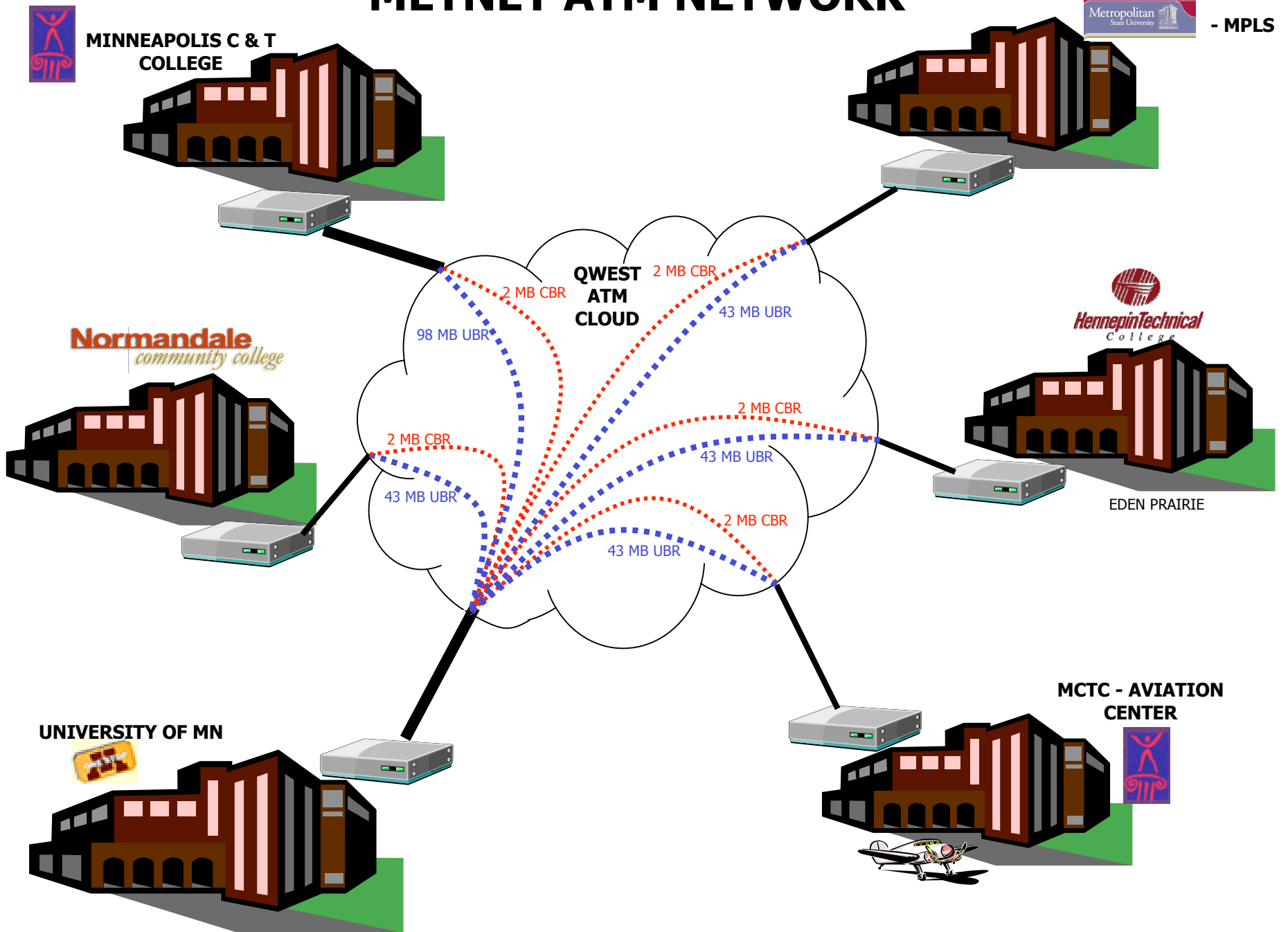
---

- *AT&T Broadband Services provided aggressive pricing for gigabit service.*
- *Qwest provides ATM service for campuses outside AT&T's service area.*

# AT&T Gigabit



# METNET ATM NETWORK



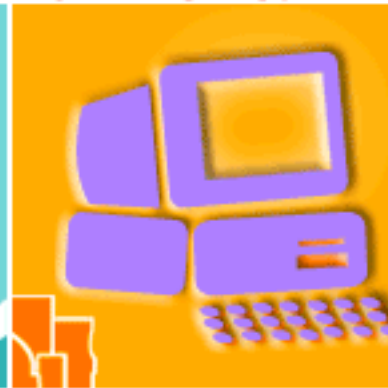
# Benefits

---

- *High capacity network connections linking all metro area campuses.*
- *Supports the academic mission of the Metro Alliance.*
- *Provides access to Internet2 for all metro campuses.*
- *Opportunities for collaboration with private colleges, K-12 and libraries.*

**Interactive Video**

**Online Learning**



**Web Services**

**E-mail**

**METNET**

